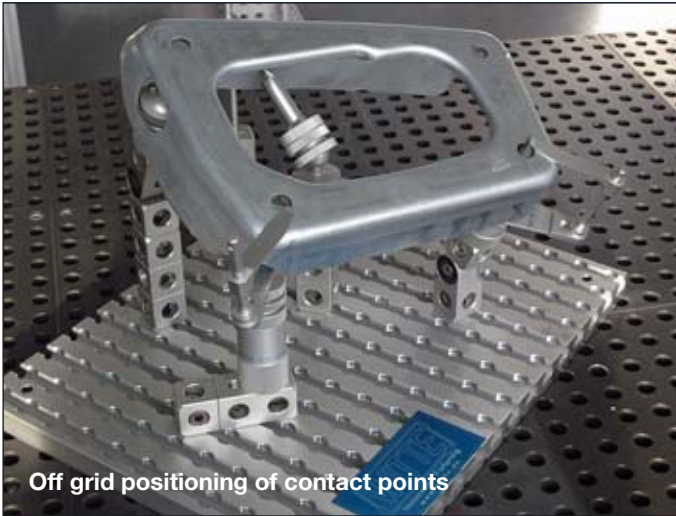
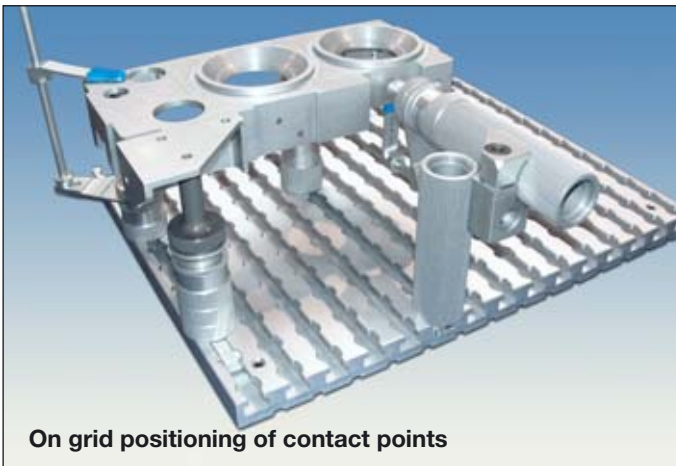




Measuring fixture made of ALUFIX and Alugrip featuring fold away gauges



Off grid positioning of contact points



On grid positioning of contact points

## ALUFIX ALUGRIP

ALUGRIP is designed for small simple fixtures and fully compatible with ALUFIX classic.

Quick locking connections enable fast and easy fixture building.

All parts can be reused.

The main features of ALUGRIP are Witte knurled profile bars with a diameter of 32/42mm. Selected connectors grip into or onto knurled profiles. A strong connection on both sides is guaranteed by integrated locking screws.

## ALUFIXCOLOR



Alufix components are also available anodized black for applications using contact-free measuring equipment. To order simply add "-1" to the Witte item number (i.e. 22950-1).

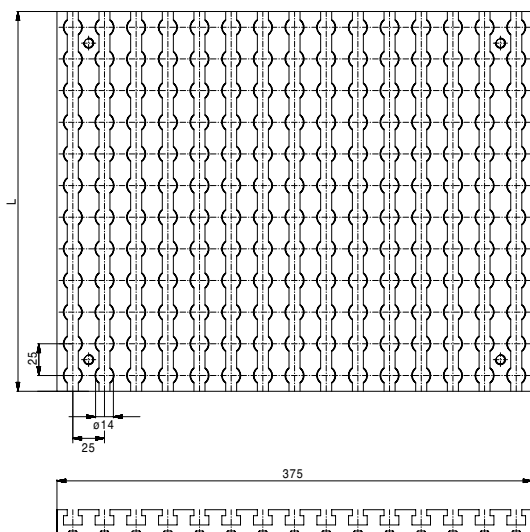


### AG slotted grid base plate

with bores  $\phi 14$  and 4 levelling screws

No.	Dim	L	g
95369	20x375	300	3900
95370	20x375	500	6500

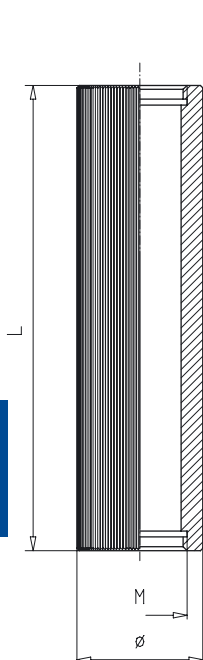
Other dimensions on request



### Screw jack extension

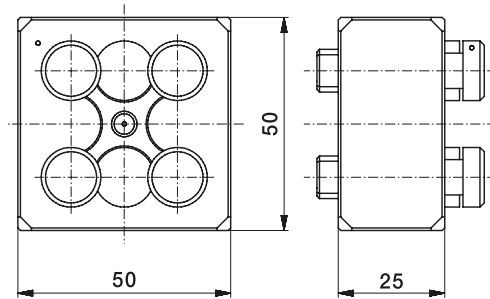
No.	$\phi$	length	g
53052	D32/M24x1	L=100	130
53212	D32/M24x1	L=200	260
53213	D32/M24x1	L=300	390
53214	D32/M24x1	L=400	520
53215	D32/M24x1	L=500	650
53216	D32/M24x1	L=750	975
53217	D32/M24x1	L=1000	1300
53218	D42/M32x1	L=100	180
53219	D42/M32x1	L=200	360
53220	D42/M32x1	L=300	540
53221	D42/M32x1	L=400	720
53222	D42/M32x1	L=500	900
53223	D42/M32x1	L=750	1350
53224	D42/M32x1	L=1000	1800

Other dimensions on request



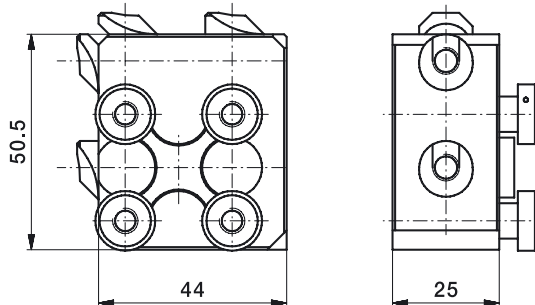
**AG Adapter  
slot base plate /  
Alufix Classic**

No.	g
95438	180



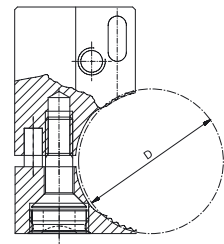
**AG Adapter  
slot base plate /  
AF Open**

No.	g
95189	180



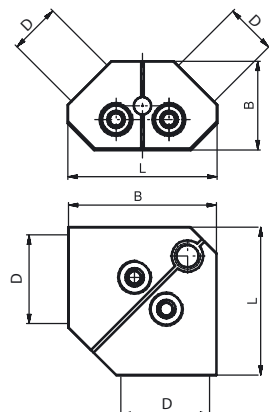
**AG Crossover  
connector**

No.	ø	g
94279	D32 left	160
94280	D32 right	160
94281	D42 left	280
94282	D42 right	280



**AG Connector 90°**

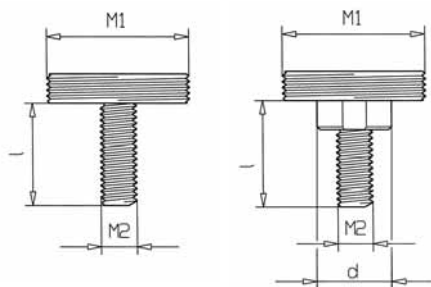
No.	ø	L	B	g
94283	D32	56,5	33,5	70
94284	D42	73,45	43,55	120



**AG Connector 90°  
with levelling screws**

No.	ø	L	B	g
94285	D32	56	56	230
94286	D42	72,8	72,8	510



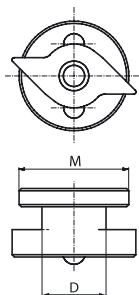


### Fixing disc with threaded stud, shortened

No.	M1	M2	L	g
94405	24x1	6	11	7
94928	32x1	6	11	7

### Fixing disc with threaded stud, shortened, with shoulder

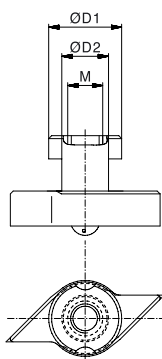
No.	M1	M2	D	L	g
94932	24x1	6	12,5	11	8
94931	32x1	6	12,5	11	8
97611	24x1	6	14	7	8
97612	32x1	6	14	7	8



### AG Fixing disc diamond shaped,

for T-slot

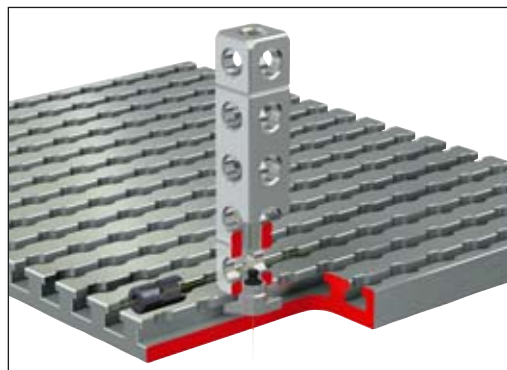
No.	M	D	g
95368	24x1	14	12
95421	24x1	8	11



### AG Fixing disc diamond shaped,

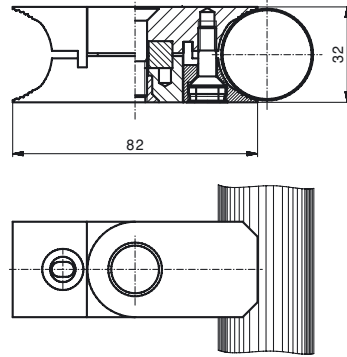
to connect AF 25 to slotted grid base plate

No.	D1	D2	M	g
97431	12,5	8	6	10
97432	12,5	14	6	11

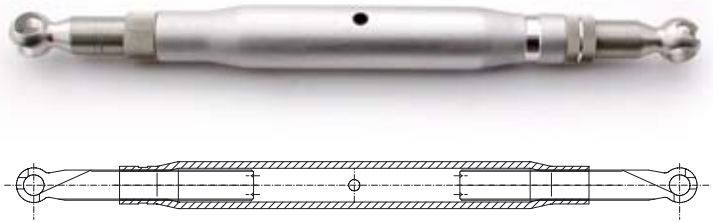


**AG Joint for disc with top section for knurl. profile**

No.	ø
94419	32
94499	32 toothed
95030	42
95031	42 toothed


**Universal strut**

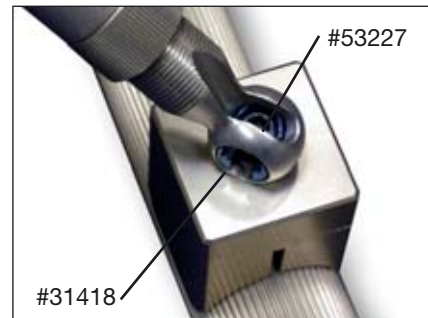
No.	ø	length	g
94287	25	250-350	200
94288	25	370-470	270
94289	25	490-590	340
94290	25	610-710	410
94291	25	730-830	480


**Screw**

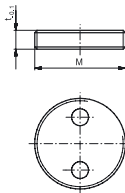
No.	Dim	g
53227	M6x19	1

**Crosspiece**

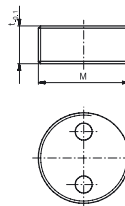
Nr.	Dim	g
31418	10,7	2

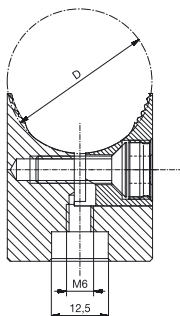

**AG Blind cap**

No.	M	t	g
53054	24x1	5	5
53225	32x1	6	9


**AG Axial-connector**

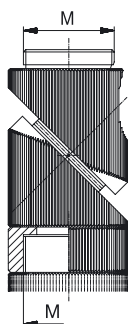
No.	M	t	g
53053	24x1	9,5	10
53226	32x1	11,5	17





### AG Connector for knurled profile

No.	∅	g
94277	D32	80
94278	D42	140

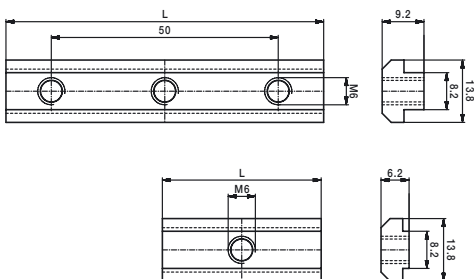


### AG Joint

with connection thread

No.	∅	g
93800	D32/M24x1	120
94349	D42/M32x1	200

For Clamping plate M24x1  
see S.172



### T-Slot nut

No.	L	g
54237	70	20
55055	35	10



### Tools

No.	Name
81118	Key for knurled profiles
21820	Pin spanner 14/17
94227	Strut key
10592	Hex key WAF3 DIN911 D
10590	Hex key WAF4 DIN911 D
10589	Hex key WAF5 DIN911 D
10714	Hex key WAF6 DIN911 D